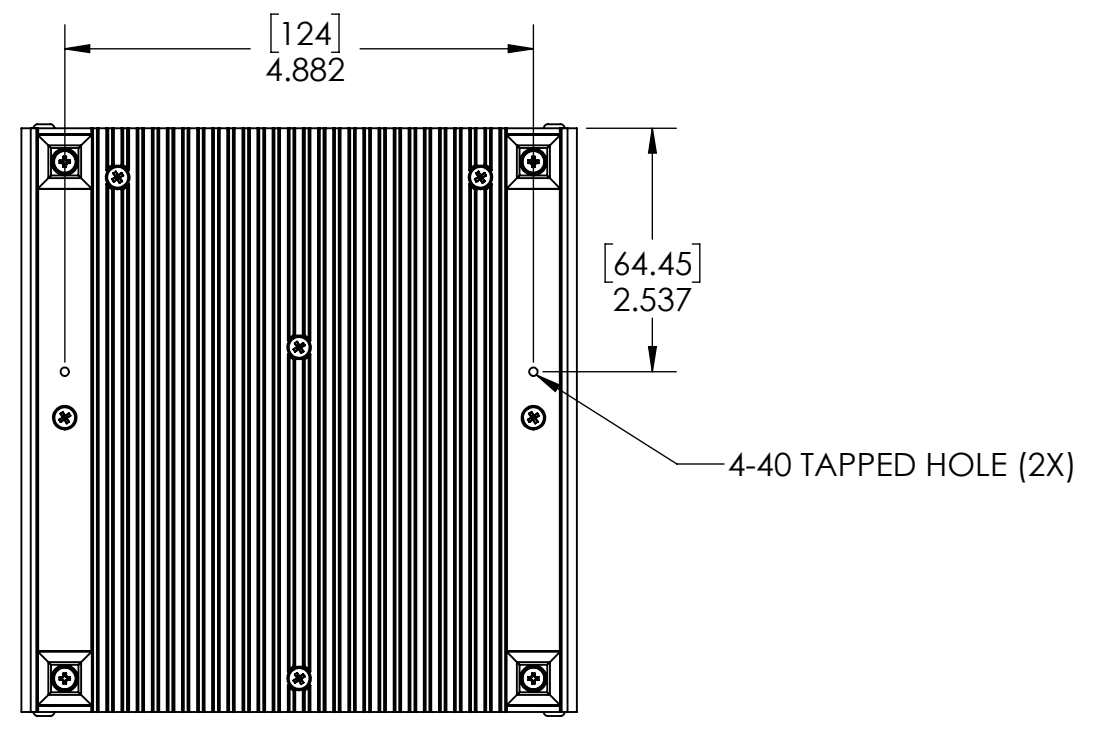
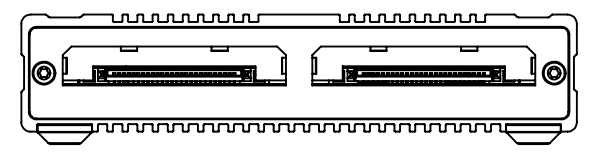


8 7 6 5 4 3 2 1

D
C
B
A



8 7 6 5 4 3 2 1

UNLESS OTHERWISE SPECIFIED		NAME	DATE	<p>SONNETTECH Sonnet Technologies Inc. 8 Autry Irvine, California 92618-2708 USA 1-949-587-3500</p> <p>TITLE: AJA PAK MOUNTING</p>	
DIMENSIONS ARE IN INCHES		CREATED	JPK 7/6/2022		
TOLERANCES:		ENG APPR.	JPK 7/6/2022		
FRACTIONAL ± 1/32" ANGULAR: MACH ± 0.5° BEND ± 0.5° ONE PLACE DECIMAL ± .03 TWO PLACE DECIMAL ± .01 THREE PLACE DECIMAL ± .005 INTERPRET GEOMETRIC TOLERANCING PER: MATERIAL: FINISH: N/A		NOTES 1) PLEASE BREAK AND DEBURR ALL SHARP EDGES 2) PROTECT TO PREVENT TOOL MARKS ON FINISHED PIECE			
DO NOT SCALE DRAWING		CONFIDENTIAL Copyright (c) 2022 Sonnet Technologies Inc. Possessor agrees to the following: 1) To maintain this document in confidence. 2) Not to copy or reproduce this document. 3) Not to reveal or publish in whole or in part.		REV A DWG. NO. BLT-AJA-AR-A MOUNT WEIGHT:	VERSION A-01 SHEET 1 OF 1